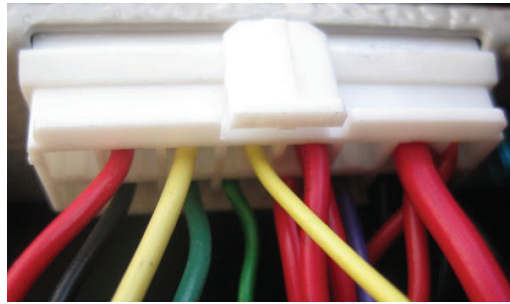
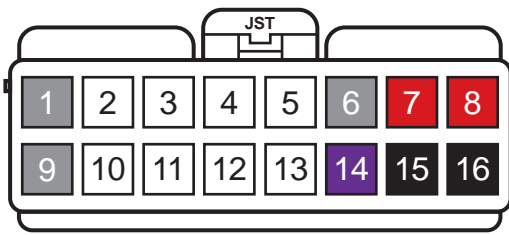


UPGRADING SIGN CONTROLLER

FROM LEGACY MODEL RM-32 TO CURRENT MODEL RM-32D 2019

FOR CONNECTION TO DS-LIVE™ | SIMPLIFIED UPGRADE WIRING DIAGRAM

Fitted with 4G Module



XLP-16V (Housing)
SXF-41T-P0.7 (Pins)
PCB (Side Entry Header)
S16P-XL-HDS(LF)(SN)

JST CONNECTOR – 16 PIN

Pin 1	Do not connect	
Pin 9	Do not connect	
Pin 2	Radar +VE 12 V switched output	RED pin 1 Radar JST-4
Pin 10	Radar GND	BLACK pin 4 Radar JST-4
Pin 3	Radar RS-232 TX	YELLOW pin 3 Radar JST-4
Pin 11	Radar RS-232 RX	GREEN pin 2 Radar JST-4
Pin 4	RS-232 TX output to Keyboard	YELLOW
Pin 12	RS-232 RX input to Keyboard	GREEN
Pin 5	Fan +VE 12V	RED Fig.8
Pin 13	Fan GND	Black Fig.8
Pin 6	Do not connect	
Pin 14	Tamper/On/Blank connects via 4K7 resistor to Battery	
Pin 7	+VE 12 Volts	Sign power input
Pin 8	+VE 12 Volts	Sign power input
		THICK RED THIN RED
Pin 15	GND	Sign Power input
Pin 16	GND	Sign Power input
		THICK BLACK THIN BLACK

RADAR JST-4



VMS KEYBOARD



PIN 14 VOLTAGE CHECKS:

With battery 11 to 13.8V and normal condition, Pin 14 should be 5.6 to 7.5V.

If this is not so, the Tamper Switch is faulty (open circuit) or connection to the battery via the 4K7 is broken.

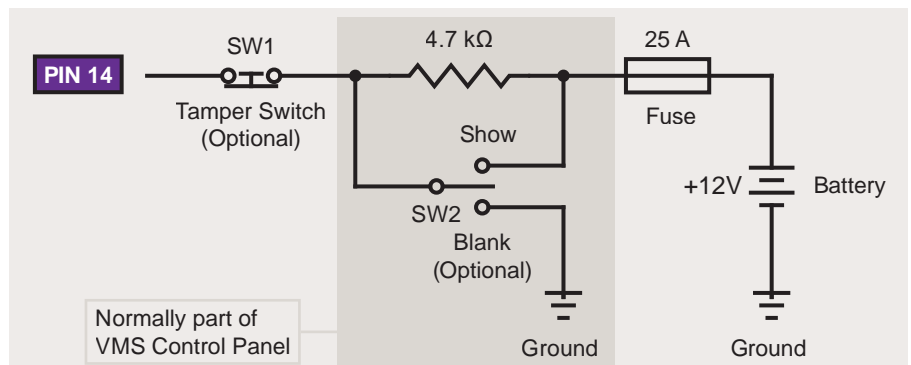
When Switch is at BLANK, Pin 14 should be 0V or very close.

When Switch is at SHOW, Pin 14 should be same as battery voltage, so 11 to 13.8V

EXPLANATION OF PIN 14 FUNCTION:

PIN 14 -----(3)----- [optional switch (2)]-----{4K7(1)}-----Battery +12V

- (1) Pin connects via 4K7 1% resistor to the battery line and monitors system voltage. As a minimum, connect to the Main Battery.
- (2) If the Line is broken (SW1) a 'Tamper' alarm is registered. This line can be connected via lid switches.
- (3) Blank / Resume Message Function. (SW2)
If Pin 14 is pulsed to GND the message BLANKS
If Pin 14 is pulse to + 12V the message DISPLAYS.



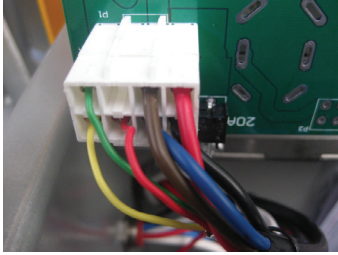
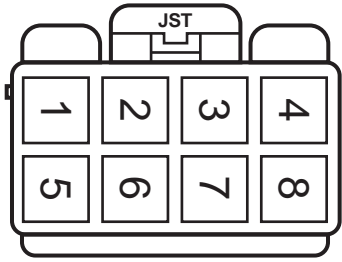
Data Signs
AUSTRALIA
Since 1976

datasigns.com
1300 850 785



Quality Endorsed Company
ISO9001 LIC OMS40249 SAI GLOBAL

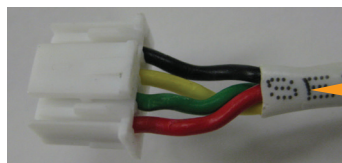
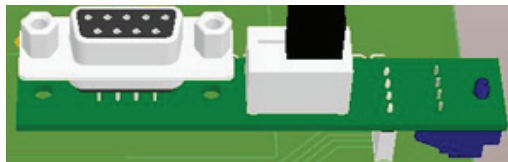
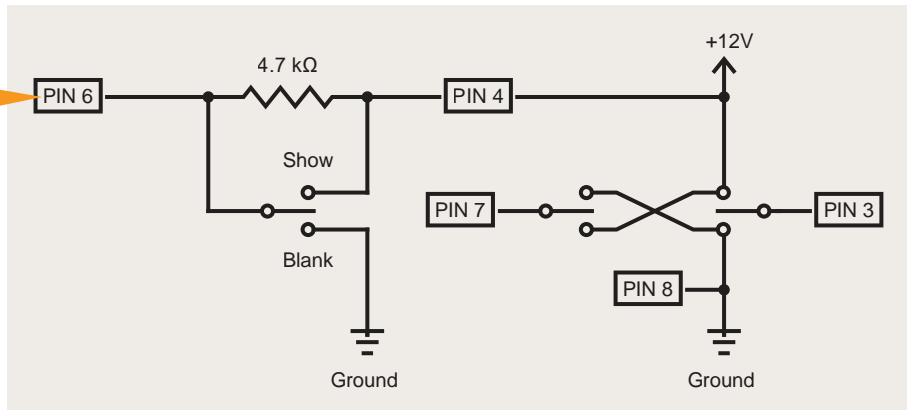
VMS CONTROL PANEL



Connects to PIN 14 of RM-32D Controller

JST CONNECTOR – 8 PIN

Pin 1	RS-232 RX to RM-32D	GREEN
Pin 5	RS-232 TX from RM-32D	YELLOW
Pin 2	Not used	
Pin 6	Tamper/On/Blank, V Sense	RED
Pin 3	Hoist Lift +	BLUE or Pump Raise
Pin 7	Hoist Lift -	BROWN or Release Valve
Pin 4	+VE 12V Input	RED from FUSE PANEL
Pin 8	GND	BLACK from BATTERY

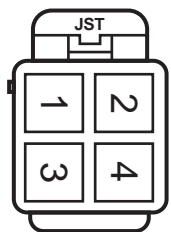


VMS Keyboard Connector

VMS COMPUTER CONNECTION BOARD

Pin 1	+12V	RED 2-PAIR
Pin 2	RS-232 RX to RM-32	GREEN 2-PAIR
Pin 3	RS-232 TX from RM-32	YELLOW 2-PAIR
Pin 4	GND	BLACK 2-PAIR

Note: VMS Computer Version 2.xx.xx is Legacy and not compatible with current controllers. Version 3.xx.xx can be upgraded via SD Card.



OPTIONAL STR - CONNECTOR ON OPERATOR PANEL

Pin 1	Tilt + Switch Output	YELLOW 2-PAIR 2
Pin 2	Tilt - Switch Output	GREEN 2-PAIR 2
Pin 3	Rotate + Switch Output	RED 2-PAIR 2
Pin 4	Rotate - Switch Output	BLACK 2-PAIR 2



Data Signs
AUSTRALIA
Since 1976

datasigns.com
1300 850 785



Quality Endorsed Company
ISO9001 LIC OMS40249 SAI GLOBAL